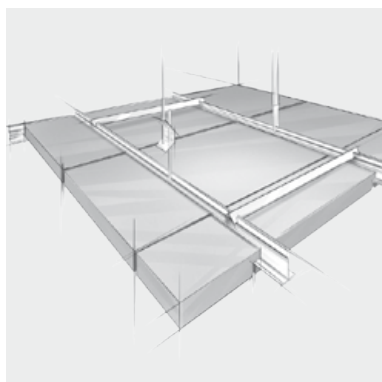
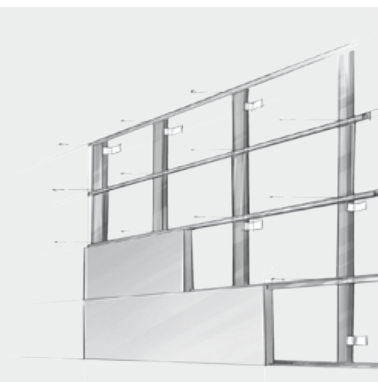
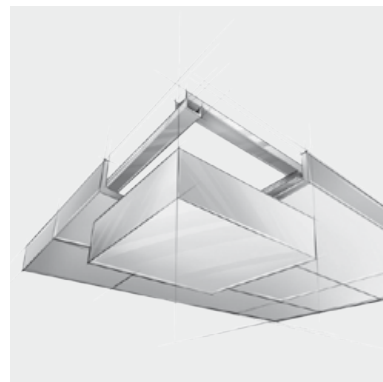
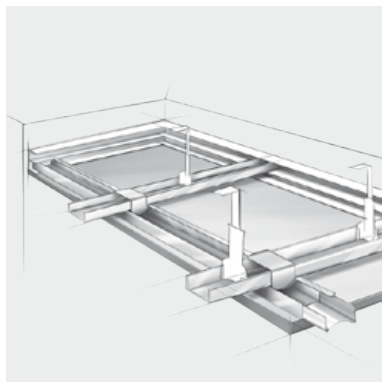
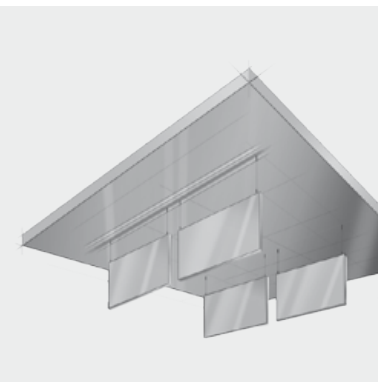


Product data

HERADESIGN® Sonic element 1200/1200

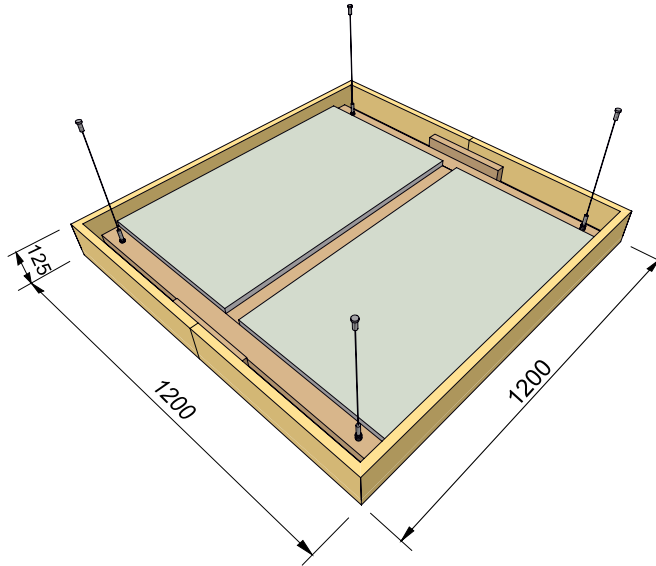


Product data

HERADESIGN® Sonic element 1200/1200

Description of Product

- HERADESIGN® Sonic element including substructure and suspension system
- Quick and simple installation thanks to complete pre-assembly

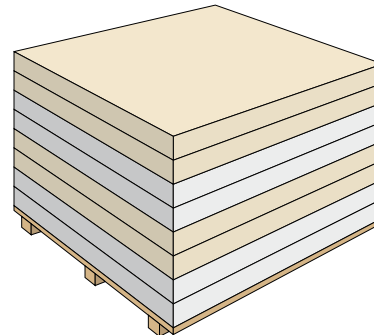


Applications

For decorative and acoustically effective sound absorption. Suitable for new constructions as well as subsequent installation of acoustic measures. For individual optimisation of acoustics without the need to re-install or replace the entire ceiling.

Packaging unit:

- 1 element per 1200 x 1200 mm packaging carton
- Max. 8 elements per pallet



Technical Information:

Size of Sonic element: 1200 x 1200 x 125 mm
Panel thickness: 25 mm
Edge design: AK-01
Acoustic lining: 50 mm fleece-lined Mineral Wool

Available HERADESIGN® surfaces

The cover layers consist of magnesite-bonded Wood Wool acoustic panels as recommended according to building biology principles.

HERADESIGN® fine

Fibre width 2 mm, characteristic surface



HERADESIGN® superfine

Fibre width 1 mm, high-quality surface



Colour variants

The standard colour of the HERADESIGN® cover layers is white, similar to RAL 9010, or beige, natural tone 13. Other colours from common colour systems such as RAL, NCS, StoColor may be selected.

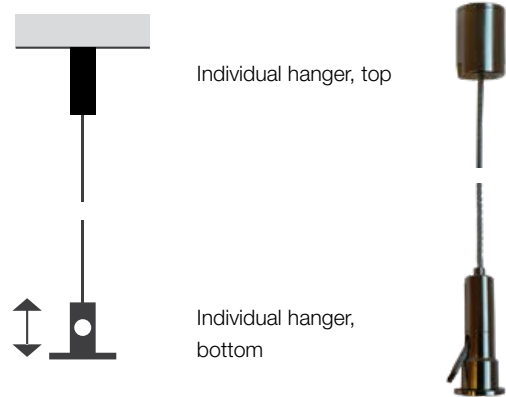
Product data

Product	Format L x W x H [mm]	Weight [kg/element]
HERADESIGN® superfine	1200 x 1200 x 125	27.10
HERADESIGN® fine		29.20

Single suspender

Pre-assembled hanger with two base parts for suspending HERADESIGN® Sonic elements from the ceiling. The bottom base parts are pre-assembled on the HERADESIGN® Sonic element.

- Precise, continuous height adjustment possible
- Wire Ø 1.8 mm, 7 x 7 galvanised steel
- Nominal strength: 2400 N/mm², length 500 mm
- with side wire guide
- Surface of hanger and baffle base: glossy nickel
- Max. suspension height = 450 mm (top edge of ceiling to top edge of edging)
- 4 hangers per HERADESIGN® Sonic element
- Max. working load per hanger 340 N/34 kg
- Max. breaking strength per hanger 1700 N/170 kg



Important:

The fasteners for fastening the individual hangers to the ceiling are not included with the HERADESIGN® Sonic element and must be selected according to the particular substrate. Fastening is possible using suitable screws and screw anchors or by screwing onto an M8 threaded bolt.

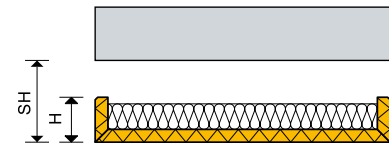
Overview of test reports

Sound absorption coefficients of HERADESIGN® Sonic element (absorption area according to ISO 354)

HERADESIGN® Sonic Element superfine

Test specimen				Equivalent absorption area Ao [m ²]																											
Panel type + dimensions L x W x H [mm]	Thick-ness [mm]	Suspension height [mm]	HERADESIGN® acoustic lining		Frequencies [Hz], Ao (third)												Frequencies [Hz], Ao (octave)			entire range		Class									
			[mm]	Bulk density [kg/m ³]	100	125	160	200	250	315	400	500	630	800	1000	1250	1600	2000	2500	3150	4000		5000	125	250	500	1000	2000	4000	NRC	α _w
With acoustic lining																															
HERADESIGN® superfine 1200 x 1200 x 125	25	200	50	50	0.50	0.70	0.90	1.40	1.70	1.90	2.20	2.30	2.30	2.20	2.10	2.00	2.10	2.20	2.20	2.20	2.00	2.10	0.70	1.70	2.30	2.10	2.20	2.10	-	-	-
HERADESIGN® superfine 1200 x 1200 x 125	25	400	50	50	0.60	1.20	1.30	1.60	1.60	1.90	2.00	2.10	2.50	2.40	2.30	2.30	2.40	2.60	2.60	2.50	2.40	2.40	1.00	.170	2.20	2.30	2.50	2.40	-	-	-
HERADESIGN® superfine 1200 x 1200 x 125	25	600	50	50	0.70	1.20	1.30	1.50	1.40	1.70	2.10	2.30	2.40	2.50	2.50	2.50	2.60	2.70	2.80	2.60	2.50	2.50	1.10	1.50	2.30	2.50	2.70	2.50	-	-	-

SH: Suspension height, lower edge of ceiling to lower edge of HERADESIGN® Sonic element
H: Ceiling raft height or height of edging



The HERADESIGN® Sonic element is not intended for use in indoor swimming pools or thermal baths!

This product information corresponds to the present state of development of our products and become invalid on the publication of a new version. Always make sure that you use the latest version of this information. The suitability of the product is not binding for special individual cases. Warranties and liability for deliveries are governed by our General Terms of Business. Only defect-free products may be installed. No liability will be accepted for the assembly of defective products or for the resulting costs (delay in delivery, remediation of defects). All data are included without warranty. Version 01/2021 - JB

