

Suspension System for METAL Ceilings

METAL U-Profile + Bandraster

KNAUFCEILING
Solutions

Suspension system for exposed Lay-In solutions

Key features

- Create linear grid layouts
- Installed on the modular U-Profile primary grid system, with unique plug-in clip for quick and accurate installation
- Full range of accessories with multiple suspension options
- Bandraster available in different colour options on request

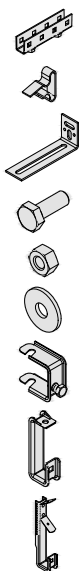
Application areas

- For large spaces and office environments

Systems

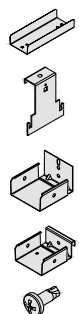
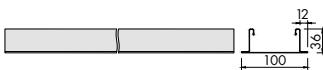
- METAL B-L 302 / MESH B-L 302 / MESH B-L 302 MT

U-Profile & Accessories



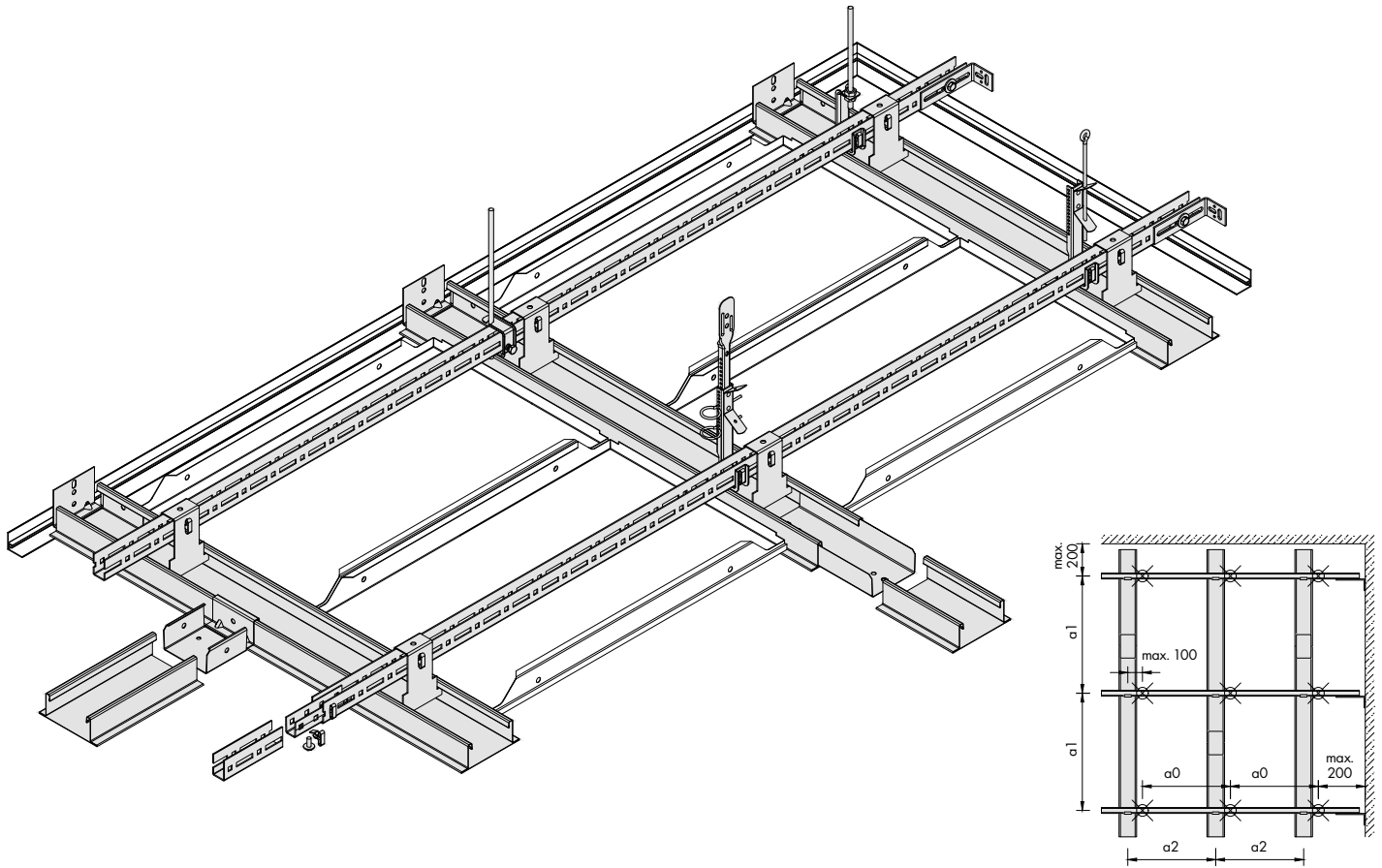
Item reference	Description	Dimensions (mm)	Material	Colour	Content/carton		Weight/carton kg
					pcs	lm	
M300100	U-Profile	3746 x 20 x 31	Galvanised steel	-	10	375	28.9
M300119	Splice connector for U-Profile	95 x 23 x 17	Galvanised steel	-	100	-	5.3
M300120	Plug-in clip for U-Profile	20 x 21 x 6	Spring steel	-	100	-	0.2
M300140E	Wall anchor	90 x 35 x 25	Galvanised steel	-	100	-	3.7
M311303B	Hexagonal bolt M6 x 16 mm	M6 x 16	Galvanised steel	-	500	-	2.5
M311103B	Hexagonal nut M6	M6 x 5	Galvanised steel	-	1000	-	3.0
M311305B	Washer M6 18 x 1.6 mm	Ø18 x 1.6	Galvanised steel	-	200	-	0.6
M300121	Clamping bracket for U-Profile	43 x 37 x 20	Spring steel	-	100	-	2.3
M300366	Hanger for U-Profile	85 x 33 x 19	Galvanised steel	-	100	-	3.8
M300166	Combi-Nonius hanger for U-Profile	156 x 36 x 19	Galvanised steel	-	100	-	6.6

Bandraster & Accessories



Item reference	Description	Dimensions (mm)	Material	Colour	Content/carton		Weight/carton kg
					pcs	lm	
M215540	Bandraster 100 mm	3600 x 100 x 36	Galvanised steel	RAL 9010	8	32	30.5
P31 DP100	Splice connector for Bandraster 100 mm	203 x 75 x 33	Galvanised steel	-	100	-	13.1
M311549B	Hanger for Bandraster 100 mm	88 x 74 x 24	Galvanised steel	-	100	-	6.6
P313 DP100	Wall anchor for Bandraster 100 mm	83 x 73 x 56	Galvanised steel	-	10	-	10.6
P813 DP100	Cross Connector for Bandraster 100 mm	92 x 73 x 37	Galvanised steel	-	100	-	10.6
M311191C	Self-drilling screw 3.5 x 9.5 mm	3.5 x 9.5	Galvanised steel	-	1000	-	1.0

System Drawing



■ Spacing Parameters

METAL Spacing Parameters

a2 (mm)	600	700	800	900	1000	1100	1200	1300	1400	1500	1600	1700	1800	1900	2000	2100	2200	2300	2400	2500	2600	2700	2800	2900	3000	3100	3200	3300
a0 (mm)	1200	1400	1600	900	1000	1100	1200	1300	1400	1500	1600	1700	1800	1900	1000	1050	1100	1150	1200	1250	1300	1350	1400	1450	1500	1550	1600	1650
a1 (mm)	1900	1900	1650	1750	1650	1600	1500	1450	1400	1350	1300	1250	1150	950	1150	1100	1100	1050	1050	1000	1000	950	950	950	900	900	900	900
a1* (mm)	1900	1450	1050	1550	1500	1400	1350	1300	1250	1200	1050	900	750	600	1050	1000	1000	950	950	900	900	900	850	850	850	800	800	800

MESH Spacing Parameters

a2 (mm)	600	700	800	900	1000	1100	1200	1300	1400	1500	1600	1700	1800	1900	2000	2100	2200	2300	2400	2500
a0 (mm)	1200	1400	800	900	1000	1100	1200	1300	1400	1500	1600	1700	1800	950	1000	1050	1100	1150	1200	1250
a1 (mm)	1900	1550	1150	1600	1500	1450	1400	1300	1250	1250	1150	1000	800	1100	1050	1050	1000	1000	950	950
a1* (mm)	1550	1100	800	1450	1400	1300	1250	1200	1100	950	800	700	600	1000	1000	950	950	900	900	850

* System with additional load + 4 kg/m²
 a0 = Distance between U-Profile suspension points, a1 = Distance between U-Profiles, a2 = Distance between Bandrasters
 Typical ceiling weight = Metal 8.0 - 9.5 / Mesh 8.5 - 10.5 kg/m² (Indicative values for unperforated products, including suspension components, no additional load)

Fire reaction		Euroclass A1 as per EN 13501-1	RUS KMO (NG) / KM1 (G1, V1, D1, T1) as per 123-FZ
Indoor air quality			
Cleanability			
Sustainability		EN ISO 14001 =14%	
Design options			

All measurements in millimetres. All sizes are nominal.

Products may vary from country to country. Please contact your local sales representative.
 For further information and legal notice, please visit our website.
knaufceilingsolutions.com