

Suspension System for METAL Ceilings

METAL U-Profile Cross-Connected

KNAUFCEILING
Solutions

Suspension system for floating concealed Hook-On solutions

Key features

- For floating ceiling installations
- Installed on the modular U-Profile primary grid system, with unique plug-in clip for quick and accurate installation
- Full range of accessories with multiple suspension options

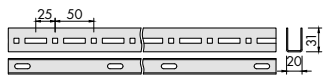
Application areas

- Ideal for offices, meeting rooms, retail, auditoriums, multi-purpose halls, cafeterias, reception areas and circulation spaces

Systems

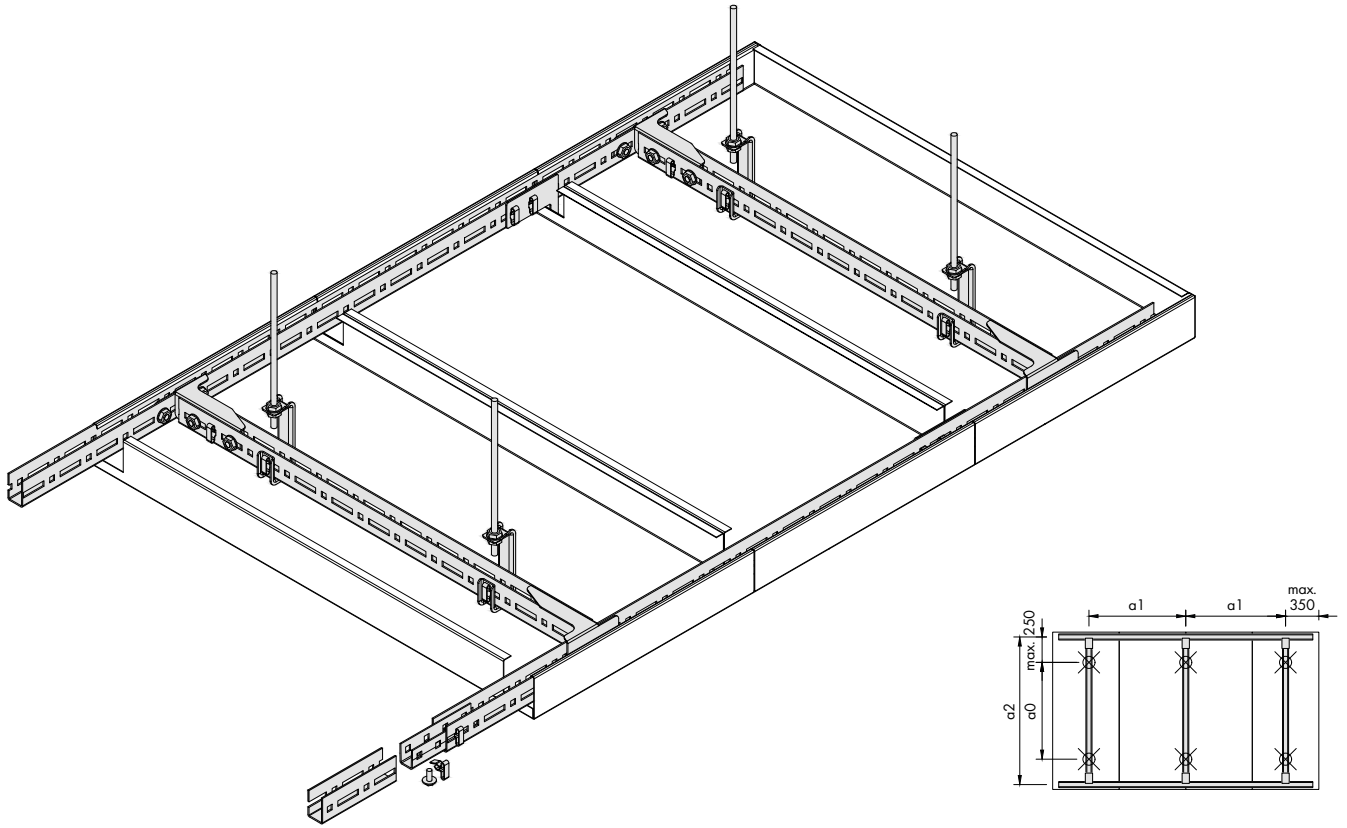
- METAL D-H 700 / MESH D-H 700 MT

■ U-Profile & Accessories



Item reference	Description	Dimensions (mm)	Material	Colour	Content/carton		Weight/carton
					pcs	lm	
M300100	U-Profile	3746 x 20 x 31	Galvanised steel	-	10	37.5	28.9
M300119	Splice connector for U-Profile	95 x 23 x 17	Galvanised steel	-	100	-	5.3
M315710	Cross-connector for U-Profile	92 x 69 x 28	Galvanised steel	-	50	-	3.5
M300120	Plug-in clip for U-Profile	20 x 21 x 6	Spring steel	-	100	-	0.2
M31195B	Thread cutting screw M6 x 10 mm	M6 x 10	Galvanised steel	-	1000	-	5.0
M311303B	Hexagonal bolt M6 x 16 mm	M6 x 16	Galvanised steel	-	500	-	2.5
M311103B	Hexagonal nut M6	M6 x 5	Galvanised steel	-	1000	-	3.0
M311305B	Washer M6 18 x 1.6 mm	Ø18 x 1.6	Galvanised steel	-	200	-	0.6
M300366	Hanger for U-Profile	85 x 33 x 19	Galvanised steel	-	100	-	3.8
M315711	Security bracket 50 mm for METAL Sky Element Hook	70 x 48 x 1.5	Galvanised steel	-	100	-	2.5
M315712	Security bracket 65 mm for METAL Sky Element Hook	70 x 63 x 1.5	Galvanised steel	-	100	-	2.8

System Drawing



■ Spacing Parameters

METAL Spacing Parameters

a2 (mm)	1750	2726
a0 (mm)	1900	1900
a1 (mm)	1400	1100
a1* (mm)	1300	1000

MESH Spacing Parameters

a2 (mm)	1750	2452
a0 (mm)	1900	1900
a1 (mm)	1200	950
a1* (mm)	1100	900

* System with additional load + 4 kg/m²
 a0 = Distance between U-Profile suspension points, a1 = Distance between crossing U-Profiles, a2 = Distance between lateral U-Profiles
 Typical ceiling weight = Metal 70 - 8.0 / Mesh 9.0 - 10.0 kg/m²
 (Indicative values for unperforated products, including suspension components, no additional load)

Fire reaction	Euroclass A1 as per EN 13501-1	RUS KMO (NG) / KM1 (G1, V1, D1, T1) as per 123-FZ
Indoor air quality	A+	
Cleanability		
Sustainability	EN ISO 14001 =14%	

All measurements in millimetres. All sizes are nominal.