

# Suspension System for METAL Ceilings

## METAL U-Profile + Spring-T

**KNAUFCEILING**  
Solutions

Suspension system for concealed Clip-In solutions

### Key features

- For square tile and rectangular panel layouts
- Installed on the modular U-Profile primary grid system, with unique plug-in clip for quick and accurate installation
- Full range of accessories with multiple suspension options
- Clip for secure installations

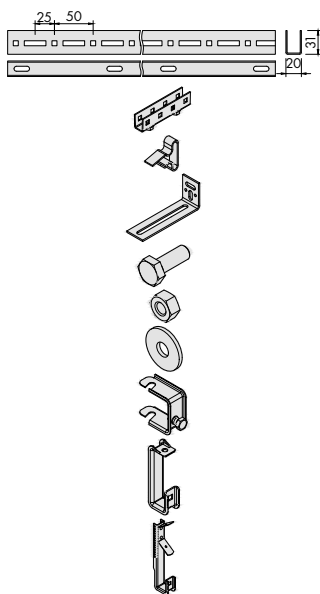
### Application areas

- From small service rooms to large commercial office buildings and major transportation terminals

### Systems

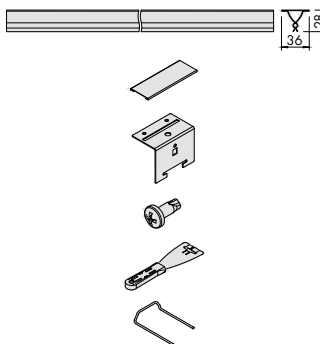
- METAL T-Clip / METAL T-Clip F

### ■ U-Profile & Accessories



Item reference	Description	Dimensions (mm)	Material	Colour	Content/carton		Weight/carton kg
					pcs	lm	
M300100	U-Profile	3746 x 20 x 31	Galvanised steel	-	10	375	28.9
M300119	Splice connector for U-Profile	95 x 23 x 17	Galvanised steel	-	100	-	5.3
M300120	Plug-in clip for U-Profile	20 x 21 x 6	Spring steel	-	100	-	0.2
M300140E	Wall anchor (except for METAL Sky Element Hook)	90 x 35 x 25	Galvanised steel	-	100	-	3.7
M311303B	Hexagonal bolt M6 x 16 mm	M6 x 16	Galvanised steel	-	500	-	2.5
M311103B	Hexagonal nut M6	M6 x 5	Galvanised steel	-	1000	-	3.0
M311305B	Washer M6 18 x 1.6 mm	Ø 18 x 1.6	Galvanised steel	-	200	-	0.6
M300121I	Clamping bracket for U-Profile	43 x 37 x 20	Spring steel	-	100	-	2.3
M300366	Hanger for U-Profile	85 x 33 x 19	Galvanised steel	-	100	-	3.8
M300166	Combi-Nonius hanger for U-Profile	156 x 36 x 19	Galvanised steel	-	100	-	6.6

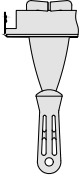
### ■ Spring-T & Accessories



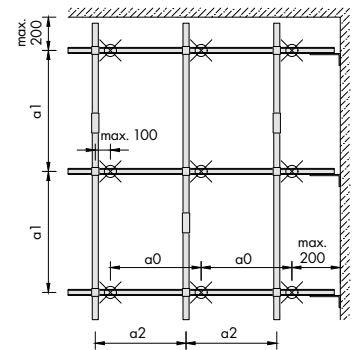
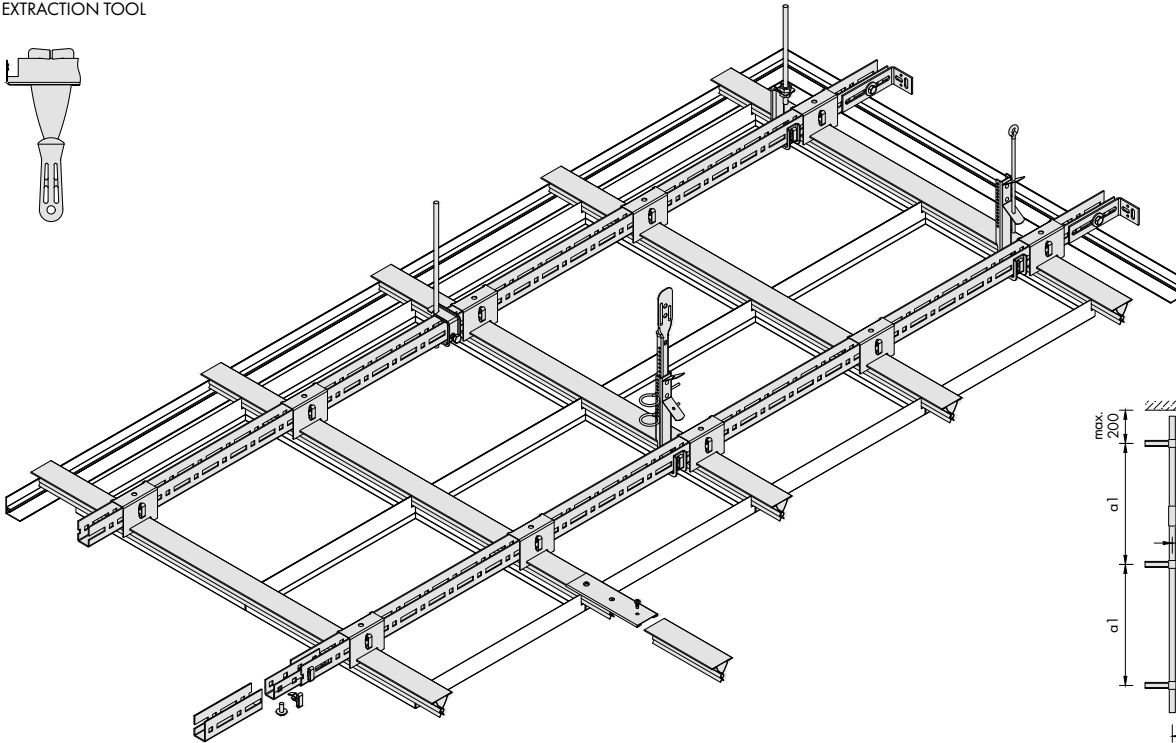
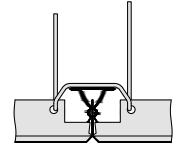
Item reference	Description	Dimensions (mm)	Material	Colour	Content/carton		Weight/carton kg
					pcs	lm	
C1801H	Spring-T	3600 x 36 x 28	Galvanised steel	-	20	72	21.4
C1805H	Splice connector for Spring-T	125 x 37 x 3	Galvanised steel	-	500	-	13.5
C2090A	Hanger for Spring-T	60 x 46 x 37	Galvanised steel	-	100	-	3.3
M311191C	Self-drilling screw 3.5 x 9.5 mm	3.5 x 9.5	Galvanised steel	-	1000	-	1.0
M311046E	Extraction tool	228 x 60 x 20	Stainless steel / plastic	-	1	-	0.1
C1775A	Security clip (METAL T-Clip F)	96 x 64 x 20	Galvanised steel	-	100	-	1.4

System Drawing

EXTRACTION TOOL



SECURITY CLIP



■ Spacing Parameters

METAL Spacing Parameters

a2 (mm)	500	600	700	800	900	1000	1100	1200	1300	1400	1500	1600	1700	1800	1900	2000	2100	2200	2300	2400	2500
a0 (mm)	1500	1200	1400	1600	900	1000	1100	1200	1300	1400	1500	1600	1700	1800	1900	1000	1050	1100	1150	1200	1250
a1 (mm)	1700	1800	1650	1550	1500	1400	1350	1300	1250	1200	1150	1100	1100	1050	1000	1000	1000	950	950	900	900
a1* (mm)	1100	1600	1300	1400	1300	1250	1200	1150	1100	1050	1050	1000	900	750	650	900	900	850	850	800	800

\* System with additional load + 4 kg/m<sup>2</sup>  
 Typical ceiling weight = 7.5 - 9.0 kg/m<sup>2</sup> (Indicative values for unperforated products, including suspension components, no additional load)

<b>Fire reaction</b>		<b>Euroclass A1</b> as per EN 13501-1	<b>RUS KMO (NG) / KM1 (G1, V1, D1, T1)</b> as per 123-FZ
<b>Indoor air quality</b>			
<b>Cleanability</b>			
<b>Sustainability</b>		<b>EN ISO 14001</b> =14%	

All measurements in millimetres. All sizes are nominal.