

Suspension System for METAL Ceilings

METAL Wall Bracket + Half DP12 A-Bar

KNAUFCEILING
Solutions

Suspension system for concealed corridor Clip-In solutions

Key features

- For corridor ceiling installations
- Installed on wall brackets, fixed to the walls
- Full range of accessories with multiple suspension options
- Brackets for swing-down functionality or clips for secure installations

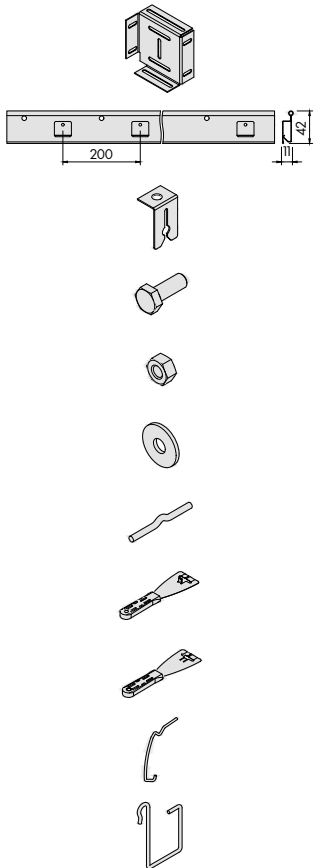
Application areas

- Used in corridors where the panels simply span between walls

Systems

- METAL F-Clip Access / MESH F-Clip

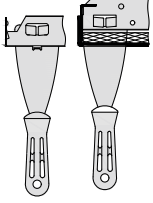
Wall Bracket & Accessories



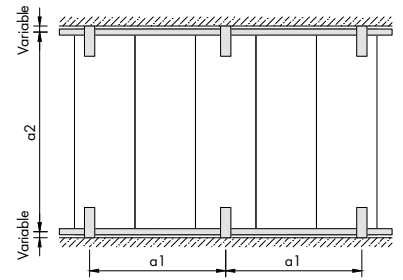
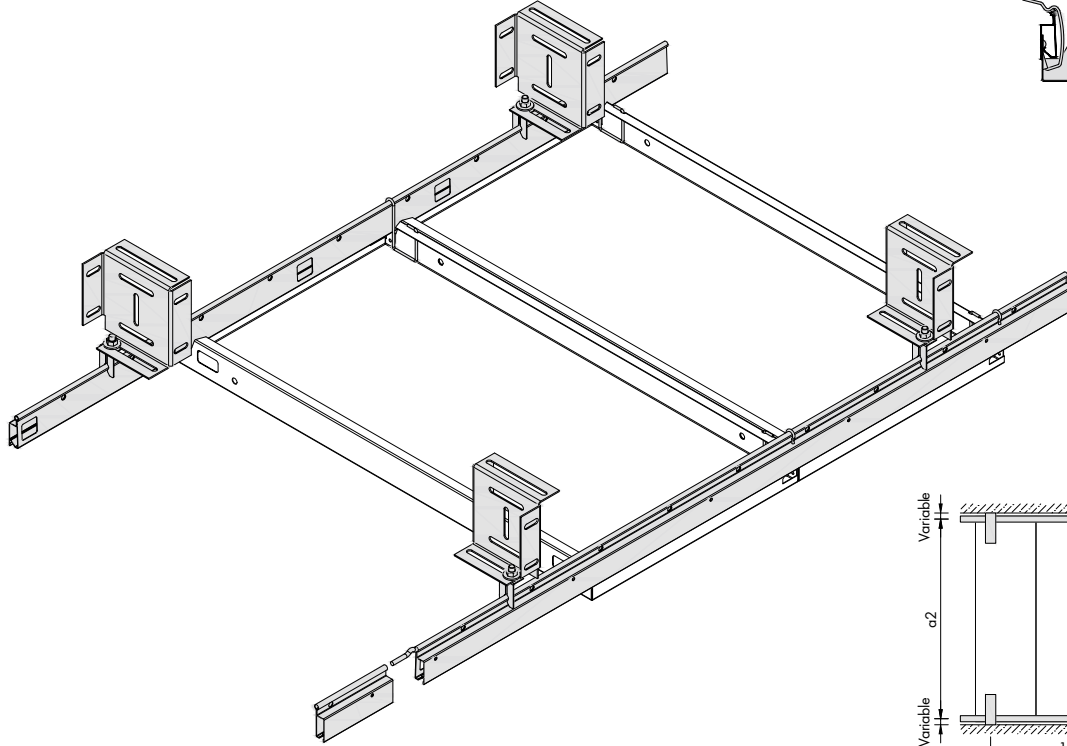
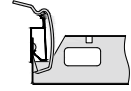
Item reference	Description	Dimensions (mm)	Material	Colour	Content/ pcs	carton lm	Weight/ kg
M311007BK	Wall bracket	100 x 100 x 59	Galvanised steel	Black	10	-	2.0
M311149	Half DP12 A-Bar	4000 x 42 x 11	Galvanised steel	-	10	40	21.2
M300209	Hanger for DP12 A-Bar (F-Clip)	31 x 15 x 20	Spring steel	-	100	-	0.5
M311303B	Hexagonal bolt M6 x 16 mm	M6 x 16	Galvanised steel	-	500	-	2.5
M311103B	Hexagonal nut M6	M6 x 5	Galvanised steel	-	1000	-	3.0
M311305B	Washer M6 18 x 1.6 mm	Ø 18 x 1.6	Galvanised steel	-	200	-	0.6
M300138	Connection-pin for DP12 A-Bar	60 x Ø 4.5	Galvanised steel	-	100	-	0.8
M311028C	Extraction tool (METAL F-Clip Access)	228 x 60 x 20	Stainless steel / plastic	-	1	-	0.1
M311046E	Extraction tool (MESH F-Clip)	228 x 60 x 20	Stainless steel / plastic	-	1	-	0.1
M300106	Security clip	54 x 40 x Ø 2	Spring steel	-	100	-	0.2
M300189	Swing-down clip for Access function (METAL F-Clip Access)	62 x 36 x Ø 2.5	Spring steel	-	100	-	0.7

System Drawing

EXTRACTION TOOLS



SECURITY CLIP



■ **Spacing Parameters**

METAL Spacing Parameters

a2 (mm)	1000	1100	1200	1300	1400	1500	1600	1700	1800	1900	2000	2100	2200	2300	2400	2500
a1 (mm)	1600	1550	1450	1400	1300	1300	1250	1250	1200	1150	1150	1100	1100	1050	1050	1000
a1* (mm)	1450	1400	1300	1250	1200	1200	1150	1100	1100	1050	1000	1000	950	950	950	900

MESH Spacing Parameters

a2 (mm)	1000	1100	1200	1300	1400	1500	1600	1700	1800	1900	2000	2100	2200	2300	2400	2500
a1 (mm)	1350	1300	1250	1200	1150	1100	1100	1050	1000	1000	950	950	900	900	900	850
a1* (mm)	1200	1150	1100	1050	1050	1000	950	950	900	900	850	850	800	800	800	750

* System with additional load + 4 kg/m²
 a1 = Distance between Wall Brackets, a2 = Distance between half DP12 A-Bars
 Typical ceiling weight = Metal 9.5 - 22.0 / Mesh 11.5 - 24.0 kg/m² (Indicative values for unperforated products, including suspension components, no additional load)

Fire reaction		Euroclass A1 as per EN 13501-1	RUS KMO (NG) / KM1 (G1, V1, D1, T1) as per 123-FZ
Indoor air quality			
Cleanability			
Sustainability		EN ISO 14001 =14%	

All measurements in millimetres. All sizes are nominal.